

Data sheet

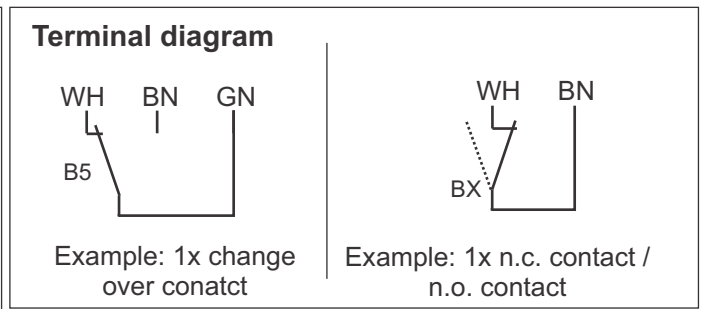
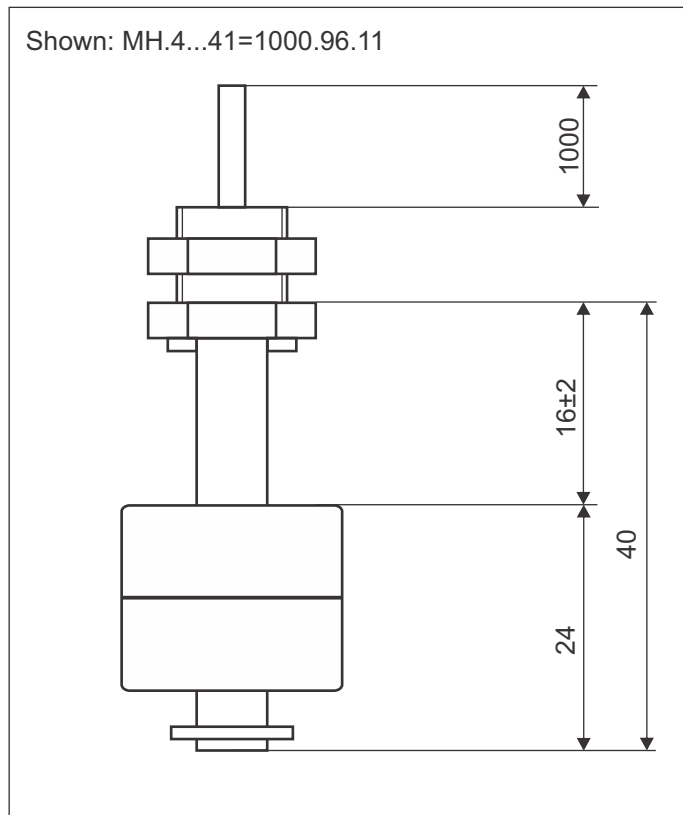
Mini float switch PVDF

Type: MH.5...

Order key

MH. 5 . B3 . 41=1000 . 98 . 16

Type mini float switch	
material tube: PVDF tube ø8 --5	
Function switching point B: closes on level drop ----- B3 opens on level drop ----- B4 change over contact ----- B5 n.c. contact/n.o. contact -- B3/B4* <small>*By rotating the float by 180°, the switching function normally closed/ normally open can be changed.</small>	
Float: ø25x21mm PVDF----- 16	
Mounting: thread G1/8" PVDF ----- 98 thread G3/8" PVDF ----- 99 thread PG7 PVDF ----- 100	Installation from inside
Connection: cable 0,25mm ² PVC, -25°C to 60°C, length acc. to specification --- 41=... e.g.1000mm cable 0,22mm ² Silicone, -25°C to 100°C, length acc. to specification --- 42=...e.g.1000mm	



Float

16 - X=24 at density approx. 0,95g/cm³ rotatable*

*By rotating the float by 180°, the switching function normally closed/ normally open can be changed.

Technical data	
Connection:	cable 0,25mm ² , material PVC, wire ID code DIN 47100, length according to specification cable 0,22mm ² , material Silicone, wire ID code DIN 47100, length according to specification
Mounting:	thread G1/8", thread length 12mm, WAF17, material PVDF thread G3/8", thread length 12mm, WAF22/24, material PVDF thread PG7, thread length 12mm, WAF19, material PVDF
Tube:	Ø8mm, material PVDF
Float:	see order key
Switching point:	at 16mm
Switching capacity:	at switching function n.c. contact - 175V / 0,25A / 5VA n.o. contact - 200V / 0,50A / 10VA change over contact - 175V / 0,25A / 5VA n.c. contact/n.o. contact - 200V / 0,50A / 10VA
	contact protection must be provided
Pressure:	max. 5 bar
Operating temperature:	-25°C to 60°C (PVC cable) -25°C to 150°C (Silicone cable)
Protection rating:	IP 65
Attention: Version without protective earth conductor. Operate only with protective extra-low voltage or external grounding!	